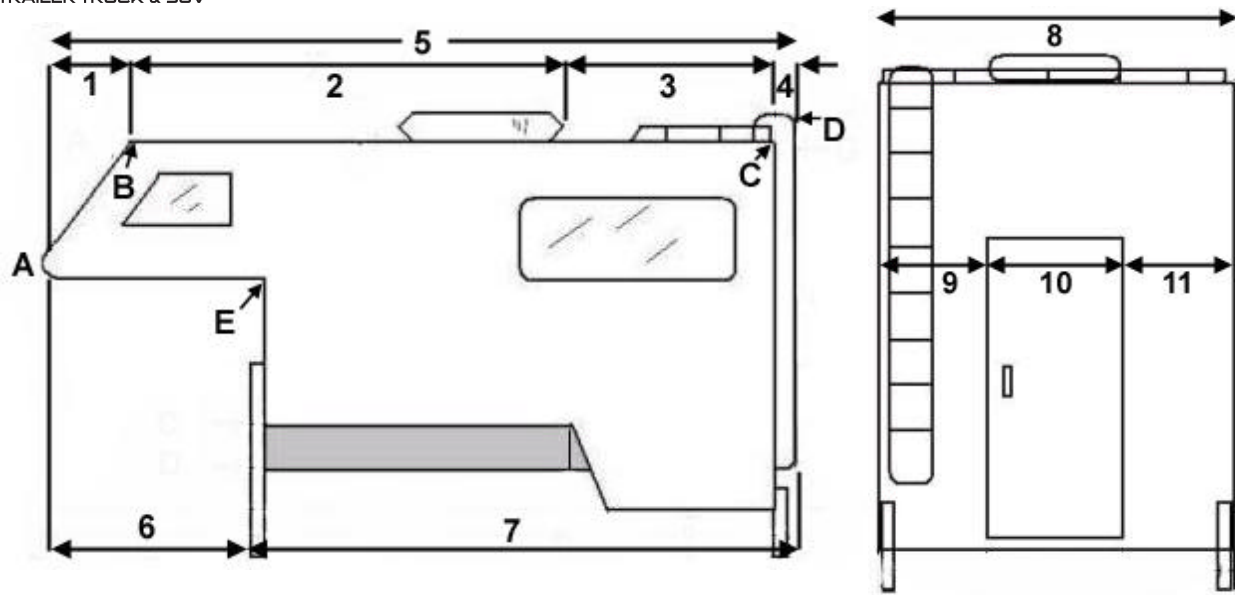




DIMENSION SHEET - SLIDE IN PICKUP CAMPER



Lengths - Measured Horizontally

- # 1 Front of cab-over to front of roof _____
- # 2 Front of roof to rear of AC (if equipped) _____
- # 3 Rear of AC (if equipped) to rear of roof _____
- # 4 Rear of roof to rear of ladder _____
- # 5 Overall Length (Should equal #1 thru #4) _____
- # 6 Front of cab-over to front jack _____
- # 7 Front jack to front of lower slant _____

Heights (from ground in stored position)

- A Height of "A" _____
- B Height of "B" _____
- C Height at rear of roof _____
- D Height at top of ladder _____
- E Height of "E" _____

*** Complete shaded dimensions if cover is to be contoured to those areas of the camper**

Widths, Measured Side to Side

- # 8 Overall width _____
- # 9 Driver side to door _____
- # 10 Door width _____
- # 11 Passenger side to door _____

Camper Information

- 1 Do you have an awning? _____ How far does it extend out from the side (closed) _____
 Driver or passenger side? _____

- 2 Do you have any other accessories _____ If yes, Please sketch in dimensions

A photo of the camper will help us make the pattern. The photo can be returned if requested.

YEAR _____ NAME _____

MAKE _____ Daytime phone _____

MODEL _____ Date of order _____

FLOOR PLAN _____